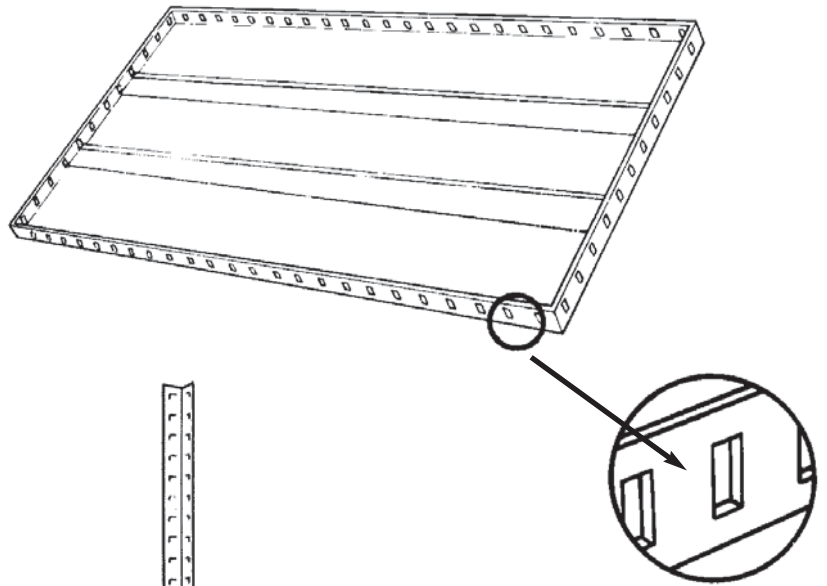


Wallform System

STANDARD SIZES

Length mm	Width mm	Mass kg
1200	600	26,58
1200	450	19,93
1200	375	17,77
1200	300	15,63
1200	230	11,14
1200	150	8,98
900	600	20,51
900	450	17,13
900	375	13,69
900	300	12,01
900	230	8,57
900	150	6,87



E/F CLIP & WEDGE SET

The wedge and clip will ensure perfect face alignment and are employed in the joint connection of all wallform panels. Use with wallform punching only.

EXTERNAL CORNER ANGLES

Length mm	Width mm	Mass kg
3000	50 x 50	11,30
2700	50 x 50	10,10
2400	50 x 50	9,10
2100	50 x 50	7,90
1800	50 x 50	6,80
1500	50 x 50	5,60
1200	50 x 50	4,50
900	50 x 50	3,40

EXTERNAL CORNER ANGLE

50 mm x 50 mm x 5 mm steel angle-punched to suit slots in wallform panel range.

CHANNEL SOLDIER

The principal component of the wallform panel system. Pre-punched periphery to suit standard components and face plate drilled to take standard range of 12 mm tie systems.



CHANNEL SOLDIER STANDARD SIZES

Length mm	Width mm	Mass kg	Width mm	Mass kg	Width mm	Mass kg
3000	125	26,22	100	18,78	75	16,60
2700	125	23,69	100	16,96	75	14,97
2400	125	20,91	100	15,10	75	13,34
2100	125	18,43	100	13,26	75	11,72
1800	125	15,90	100	11,44	75	10,07
1500	125	13,13	100	9,56	75	8,44
1200	125	10,59	100	7,75	75	6,82
900	125	8,08	100	5,93	75	5,19