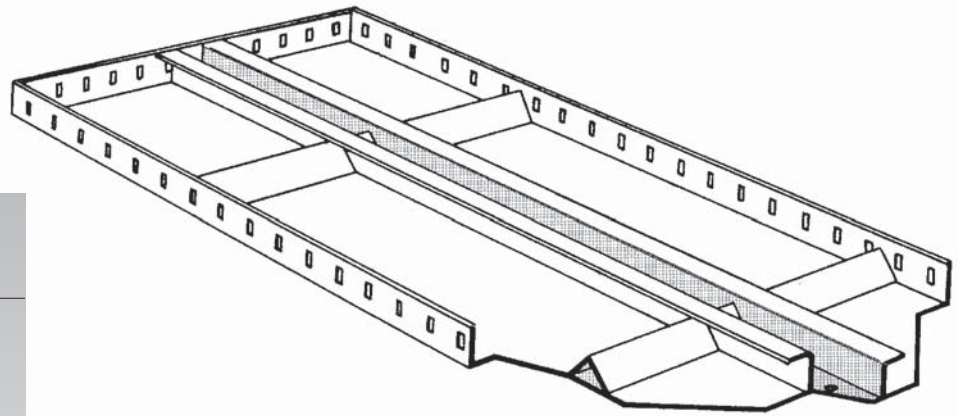


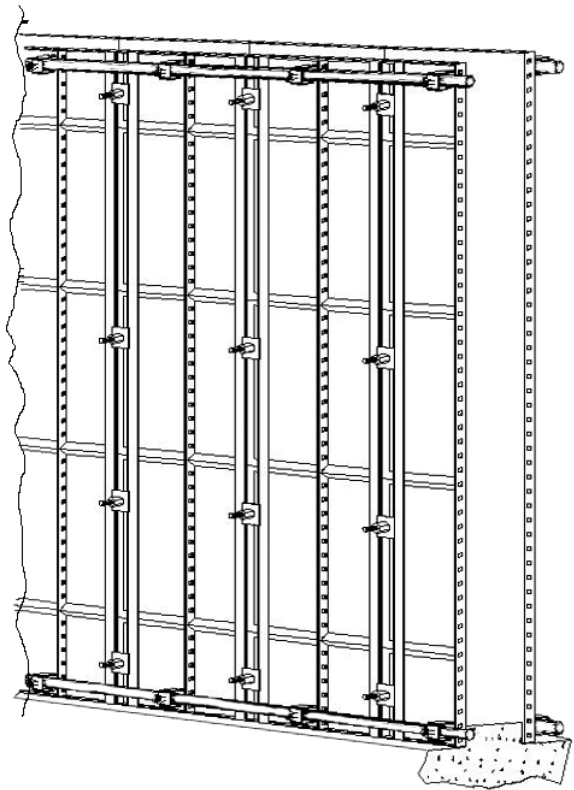
Economy Form System



ECONOMY PANELS

Dimensions mm	Mass kg
3000 x 600	78,8
2700 x 600	70,5
2400 x 600	63,5
1800 x 600	48,2
1500 x 600	39,9
1200 x 600	32,9
3000 x 450	65,8
2700 x 450	58,9
2400 x 450	53,0
1800 x 450	40,2
1500 x 450	33,3
1200 x 450	27,3
3000 x 300	46,4
2700 x 300	41,8
2400 x 300	37,3
1800 x 300	28,3
1500 x 300	23,8
1200 x 300	19,2
1500 x 225	19,5
1200 x 225	15,9
3000 x 150	29,0
2400 x 150	23,3
1500 x 150	14,8
1200 x 150	11,9

SPECIAL SIZES AVAILABLE ON REQUEST



TIE SPACINGS

The diagram gives recommended tie spacing for 600 mm wide panels at 1200 mm/hour pouring rate using 12 mm diameter ties.

If additional ties are employed, greater rates of pour (up to 3 000 mm/hour) can be achieved.

