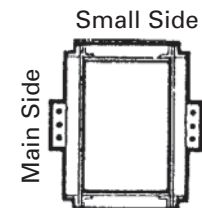
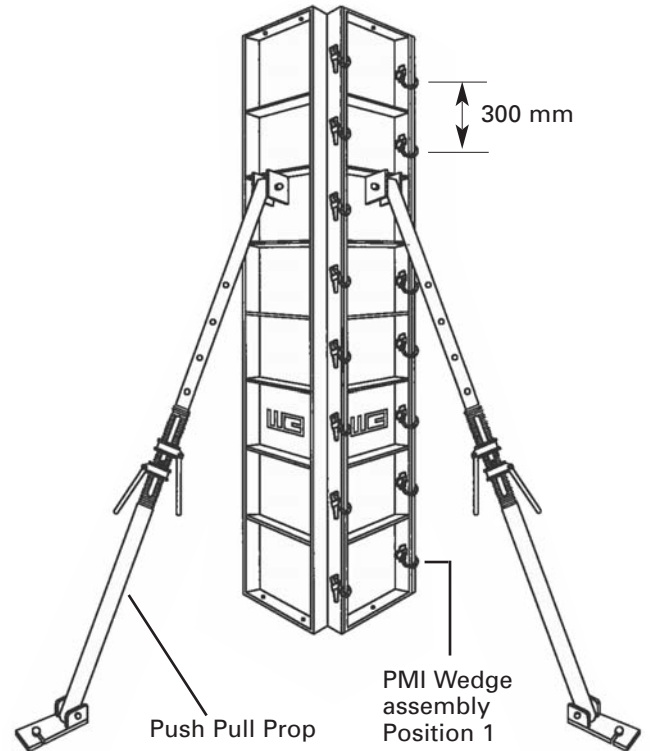


Column Boxes & Clamps

Column Boxes

Type A

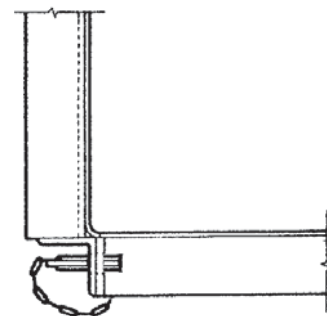
Available in all sizes from 150 mm to 900 mm wide, up to 3600 mm high.



SECTION TYPE A

Type B

Available in all sizes from 150 mm to 900 mm wide, in increments of 75 mm and up to 3600 mm high.

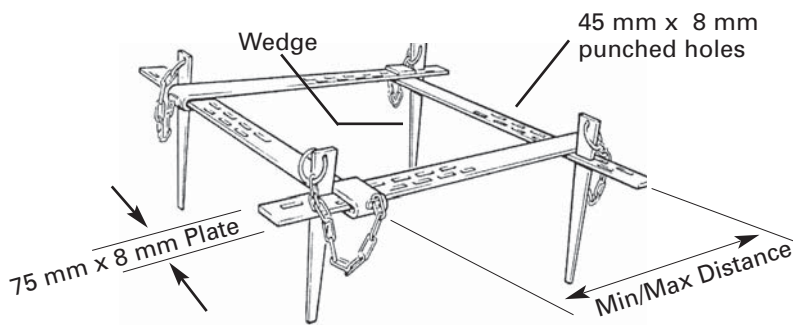


CORNER DETAIL - TYPE B

Column Clamps

Adjustable Column Clamps

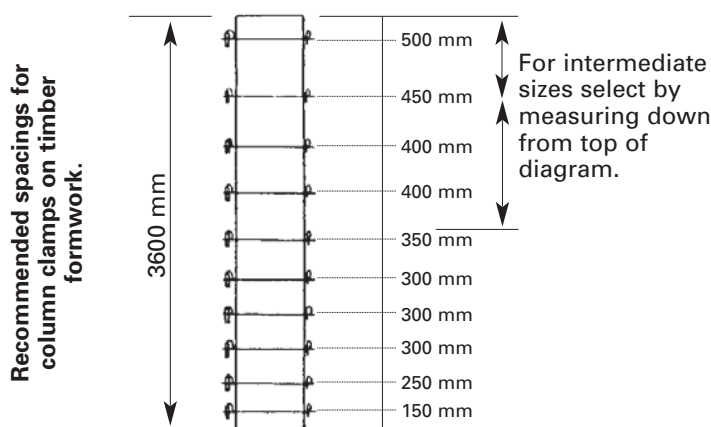
Each arm comes complete with wedge and chain.



COLUMN CLAMPS

	No. 1	No. 2	No. 3
Minimum:	203 mm	305 mm	457 mm
Maximum:	585 mm	914 mm	1168 mm
Weight (Set/4):	12,8 kg	16 kg	25,6 kg

Column Clamps - Timber Formwork



Recommended spacings for column clamps on timber formwork.