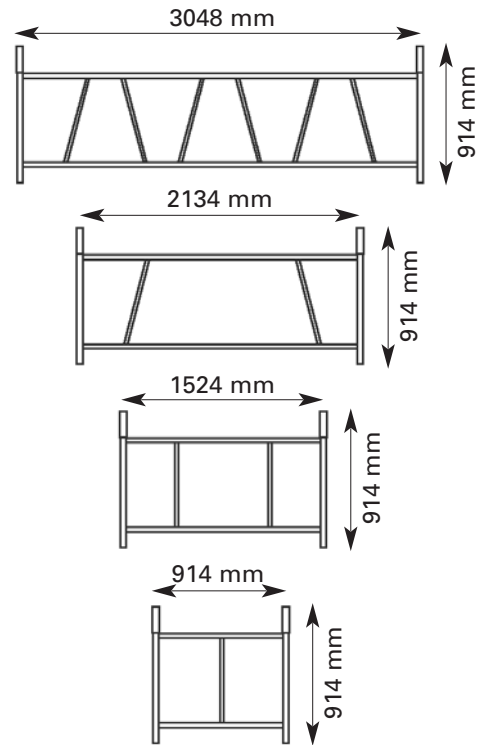
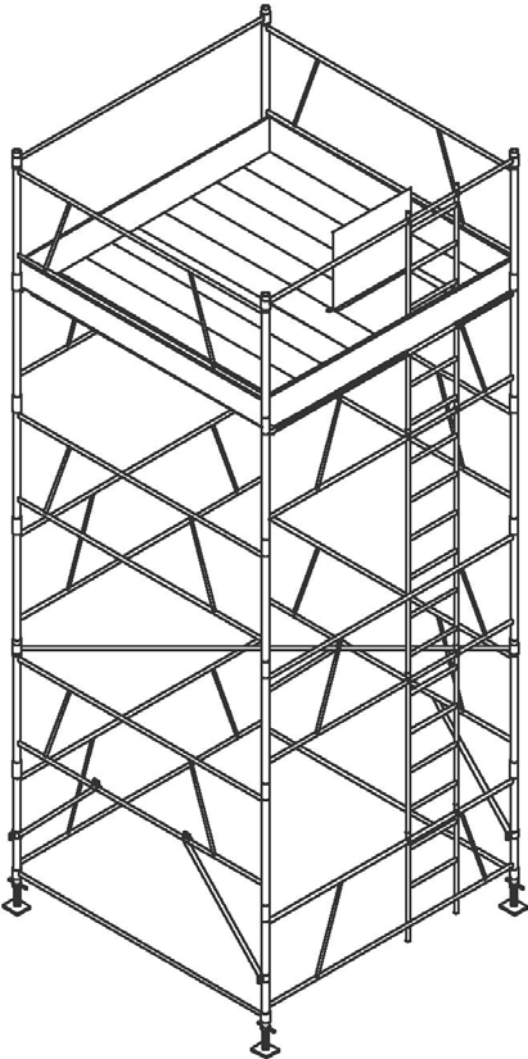


Selflock Frames & Trestles

Selflock Frames

Scaffold Towers

A Selflock Tower can be erected or dismantled in minutes. All pieces are manufactured from strong, lightweight steel tubing which, when erected, are self locking to form a rigid structure. Will store compactly when dismantled.



SELFLOCK FRAMES

Width mm	Height mm	Mass kg
3048	914	19,50
2134	914	13,40
1524	914	11,50
914	914	8,80

Tie Bars

Used for tying the first and final set of frames.



Diagonal Brace

Used for tying diagonal corners to increase rigidity and squareness.



Folding Trestles

For Internal or External work.
Closed: 1460 mm
Open: 2438 mm

