

Quick-Strip System

Scaffolding and Support

1. ADJUSTABLE BASE JACK

For adjustment of standards to overcome uneven surfaces. Total adjustment 600 mm.

2. STANDARD

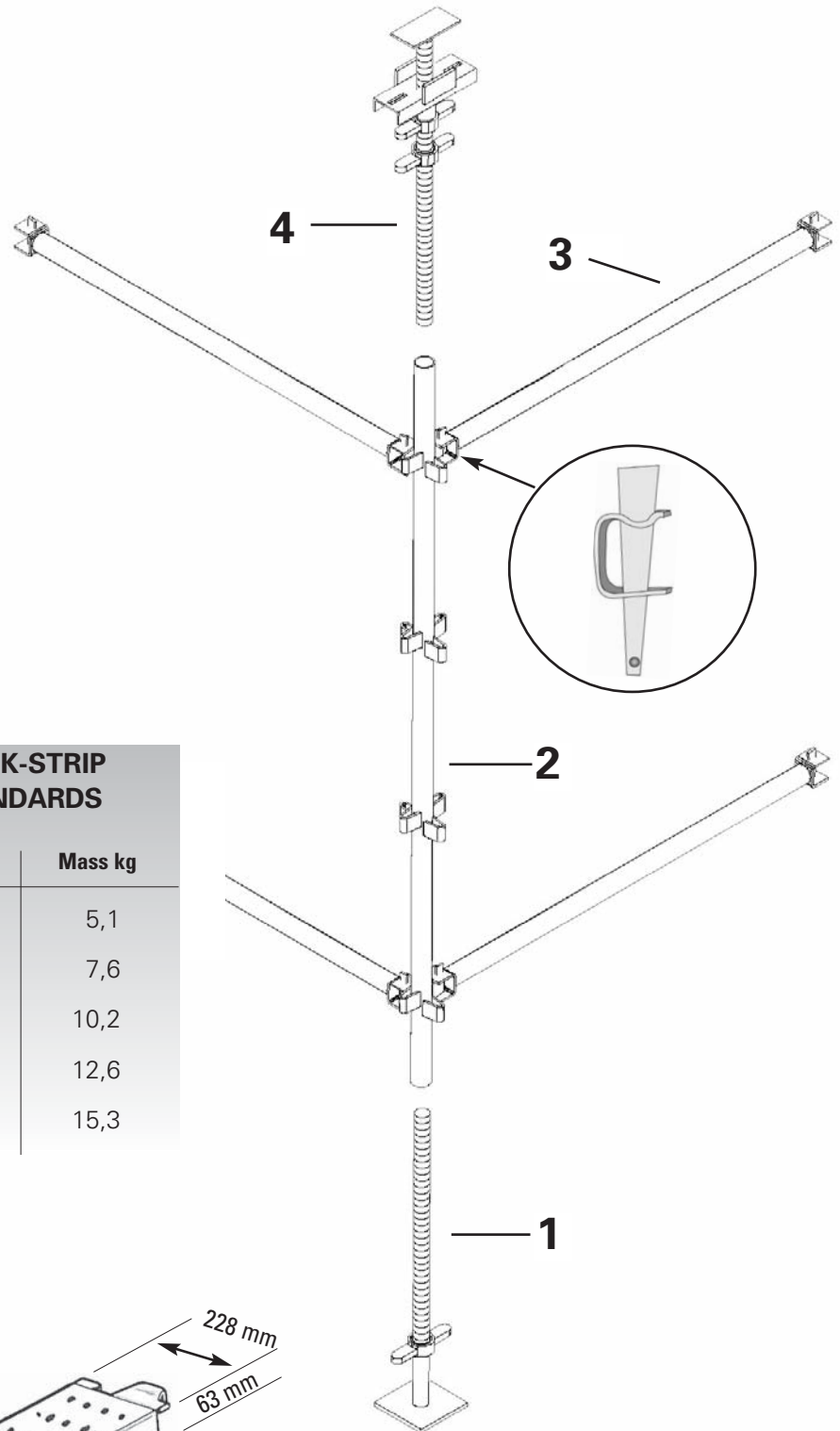
Standards for vertical support, clusters of four "V" pressings welded at 500 mm centres.

3. LEDGERS

Ledgers tie standards longitudinally & transversely.

4. DOUBLE HEADED JACK

Allows the decking panels and beams to be removed while leaving the support in place.

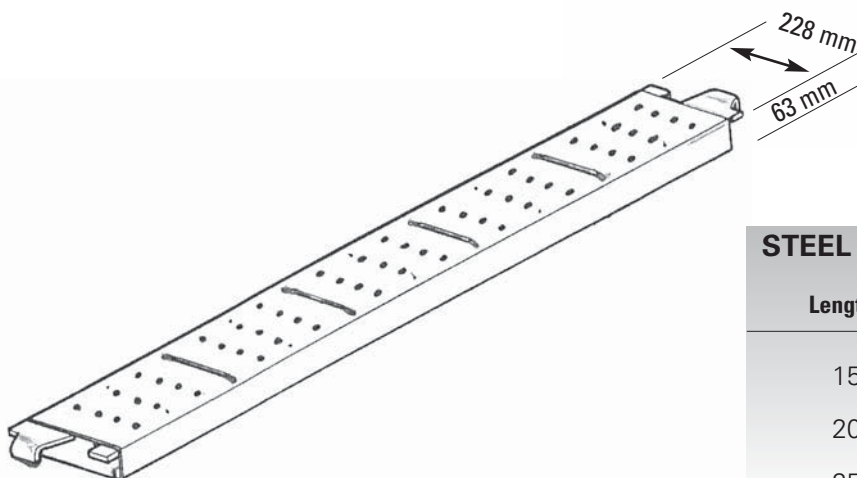


QUICK-STRIP LEDGER

Length mm	Mass kg
900	3,2
1000	3,5
1200	4,1
1219	4,2
1295	4,4
1500	5,0
2000	6,5
2500	8,0

QUICK-STRIP STANDARDS

Length mm	Mass kg
1000	5,1
1500	7,6
2000	10,2
2500	12,6
3000	15,3



STEEL SCAFFOLD BOARD

Length mm	Mass kg
1500	10,6
2000	15,4
2500	17,8