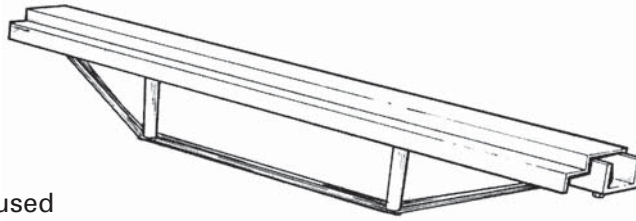


Quick-Strip Beams

For Support of:

- Coffered Slabs
- Trough floors
- Deck Panels (Flatslabs)

Quick-Strip Beams can be used with any modular system utilising the double headed jacks.

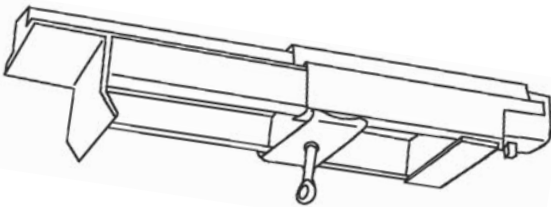


QUICK-STRIP BEAMS (COINED)

Length mm	Mass kg
900	7,91
1000	8,88
1295	10,98
1500	15,11
2000	22,55
2500	27,54

Quick-Strip Telescopic Beams

Telescopic Beams provide either an end or side extension to support the slab stop end.

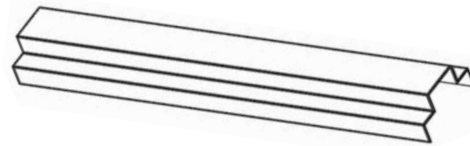


QUICK-STRIP TELESCOPIC BEAMS

Size no.	Range mm	Mass kg
No. 1	450 - 625	7,0
No. 2	600 - 900	9,2

Quick-Strip Folded Sections

Folded Sections provide extension to the Quick-Strip Beam.

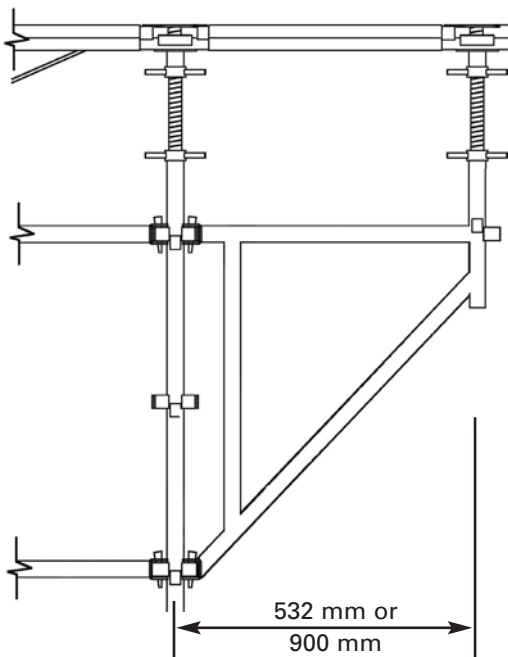


QUICK-STRIP FOLDED SECTIONS

Length mm	Mass kg
900	7,00
1200	8,50

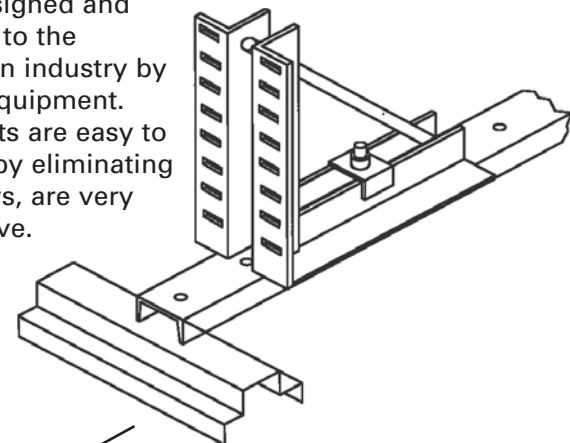
Quick-Strip Cantilever Bracket

Provides an extension of 532 mm or 900 mm to support slab stop ends.



Stop-End Beam Support

Stop-End/Beam support bracket designed and introduced to the construction industry by Wiehahn Equipment. The brackets are easy to erect and, by eliminating timber stays, are very cost effective.



Clamps onto standard Quick-Strip beams.