

Box Floor Centres

Description

Fully adjustable telescopic beams to support timber or steel decking which spans between walls or beams.

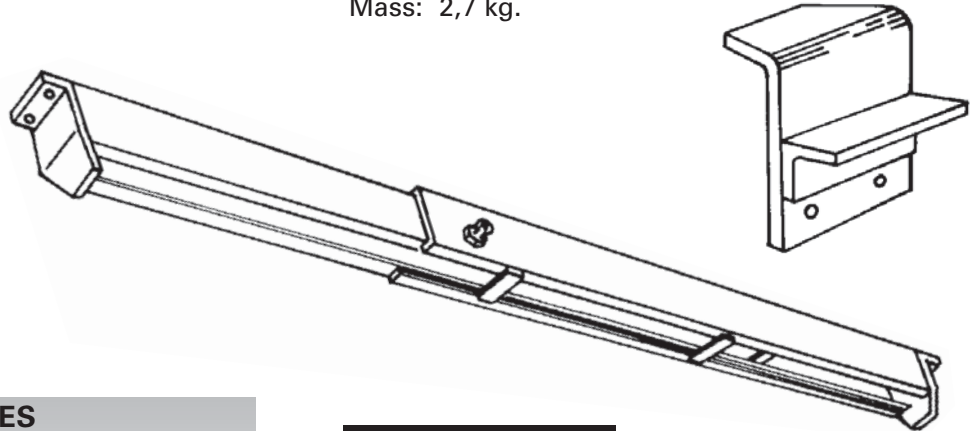
They are quick to erect, and provide the contractor with a substantial saving in time and labour.

The floor centres retract to facilitate transportation and storage.

Floor Centre Hanger Bracket

Eliminates shoring by using the walls to support the floor centre.

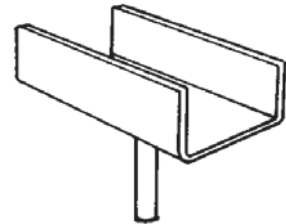
Mass: 2,7 kg.



Spigot Head

Designed for supporting floor centres in conjunction with steel props.

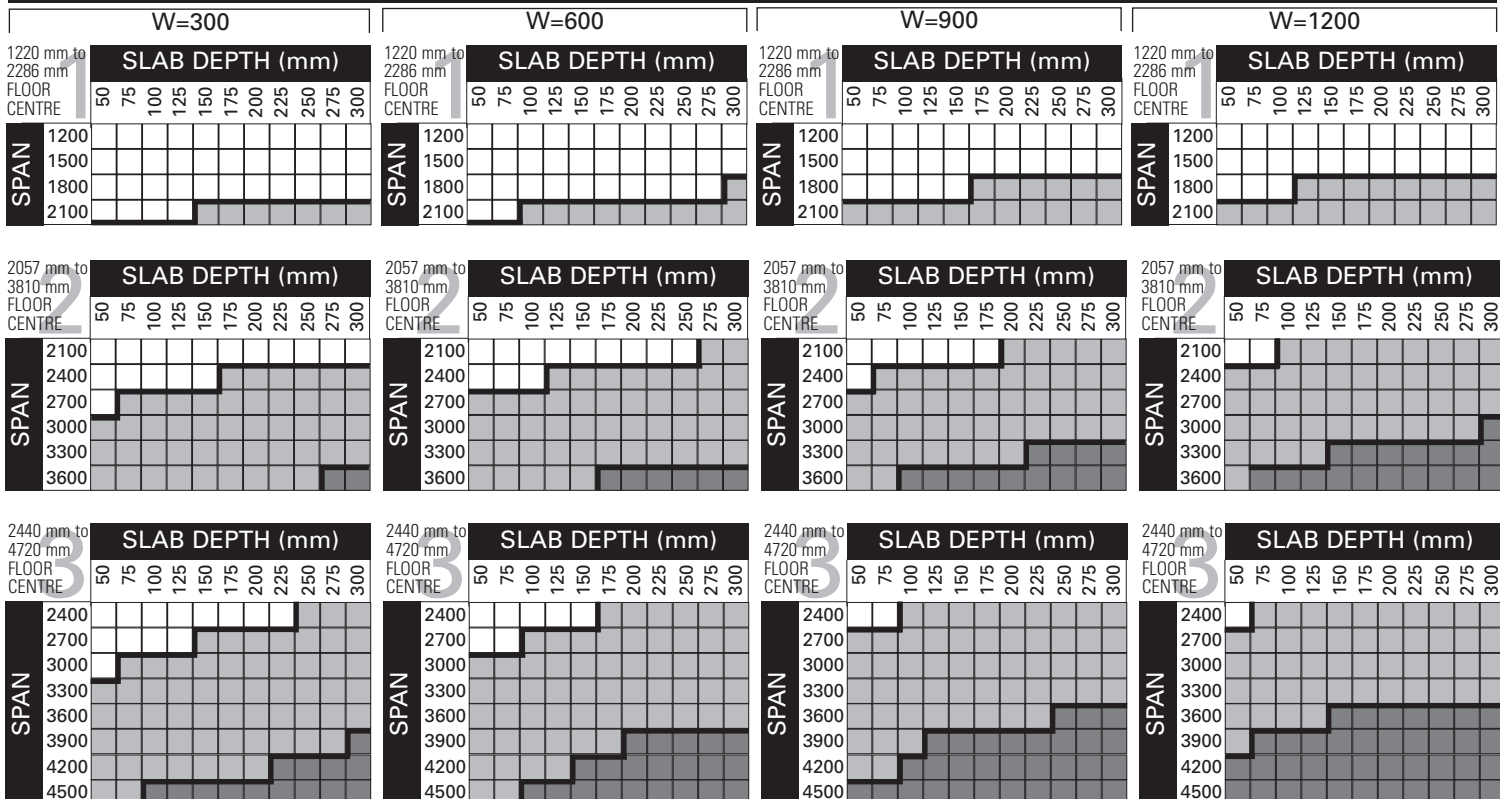
Mass: 1,01 kg.



FLOOR CENTRES

Size No.	Closed mm	Extended mm	Mass kg
No. 1	1220	2286	16,8
No. 2	2060	3810	24,1
No. 3	2440	4720	31,4
No. 4	4400	6700	41,6

Permissible Spans for varying Box Floor Centre Spacing (W)



□ NO PROP □ 1 PROP □ 2 PROPS

NOTE: Table is based on a slab mass of 23,56 kN/M³ plus a superimposed load of 2,0 kN/M³
 With no prop maximum deflection: 6 mm
 With one or more props maximum deflection: 3 mm