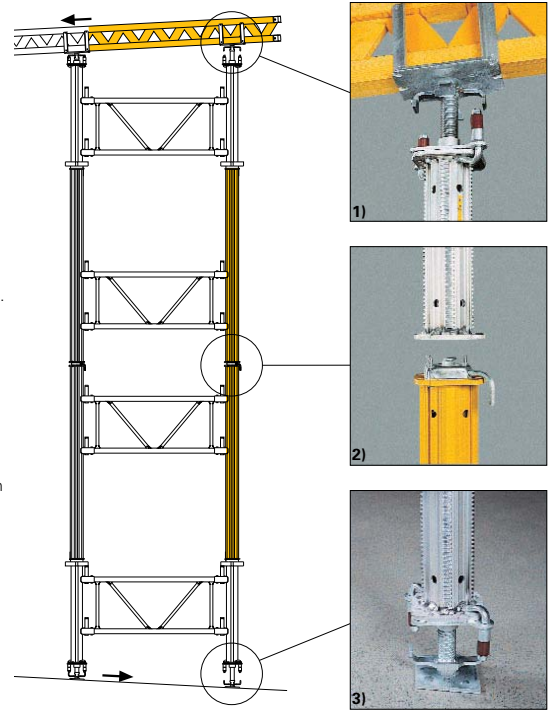


PERI PROPS

MULTIPROPS – the aluminium prop

PERI MULTIPROPS can be used individually or combined with frames to form a table or tower.

- The MULTIPROP 350 enables: **only 1 prop for all heights from 1.95 m.** 90% of all slabs can therefore be formed with only one type of prop.



- 1) MULTIPROP Tilting fork-head for a secure support of one or two girders can be tilted in three directions.
- 2) MULTIPROP MPV-2 connector: for a quick connection of two props on the inner or outer tubes.
- 3) MULTIPROP MKF tilting base: for sloping ground, in connection with frames. Can be tilted 3° all round.

Supplementary parts from the MULTIPROP system for inclined supporting surfaces and floor slabs provide maximum economy.

MP 625
4.30 – 6.25m



MP 480
2.60 – 4.80m



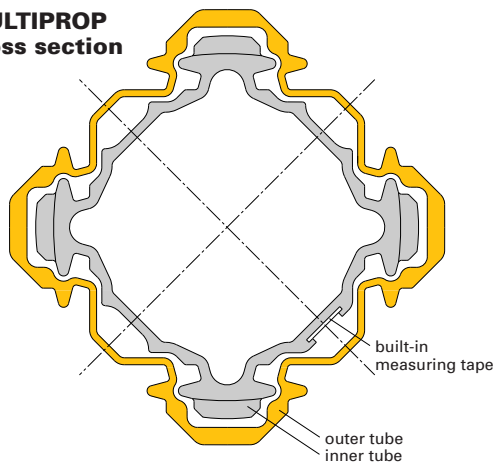
MP 350
1.95 – 3.50m



MP 250
1.45 – 2.50m



MULTIPROP cross section



- **The built-in measuring tape** allows accurate pre-adjustment.
- **One important factor in handling is the weight.** The MULTIPROP 350 weighs only 18.8 kg. Even the fully extended 480 can easily be erected by just one man.



Every MULTIPROP comes with a built-in measuring tape.



MULTIPROP Towers are pre-assembled efficiently flat on the ground.

- **The free-running nut** makes adjustment very easy. Each MULTIPROP is continuously adjustable to avoid laborious and time-consuming changing of pin positions.



36 mm of adjustment achieved with just one revolution (3 times as much as conventional props).

PERI PROPS

PEP props

PEP = PERI EURO PROP

More information can be found in the respective brochures.



The PEP props from PERI are type tested to DIN EN 1065.

■ Loading capacity:

PEP 20 props conform to Class D of DIN EN 1065.

The permissible prop load is therefore **20 kN** for all extension lengths.

PEP 30 props conform to Class E of DIN EN 1065.

The permissible prop load is therefore **30 kN** for all extension lengths.

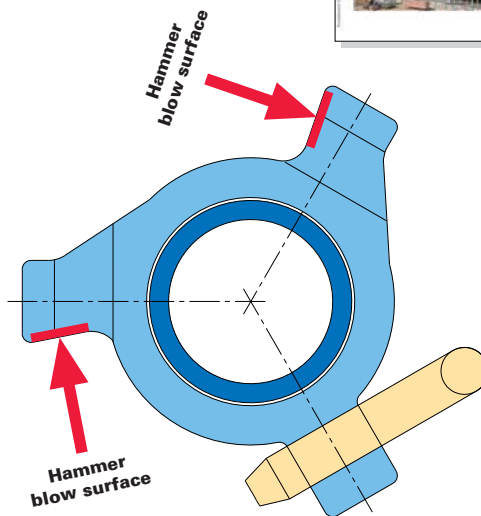
■ Durability

The 100% hot-dip galvanizing of all surfaces at the end of the manufacturing process provides long durability.

■ Assembly of accessories

The propheads are centred on the inner and outer tubes with the same end plates.

This is why the new PEP props can be simply "erected upside down" and easily operated.



The new shape of the adjusting nut has distinctive hammer blow surfaces in the lowering direction and therefore provides the correct turning direction for lowering the loads.



PEP 30-350, 1.96 m – 3.50 m in length weighs only 23 kg and carries 30.0 kN fully extended. This makes the work easy and tireless.

