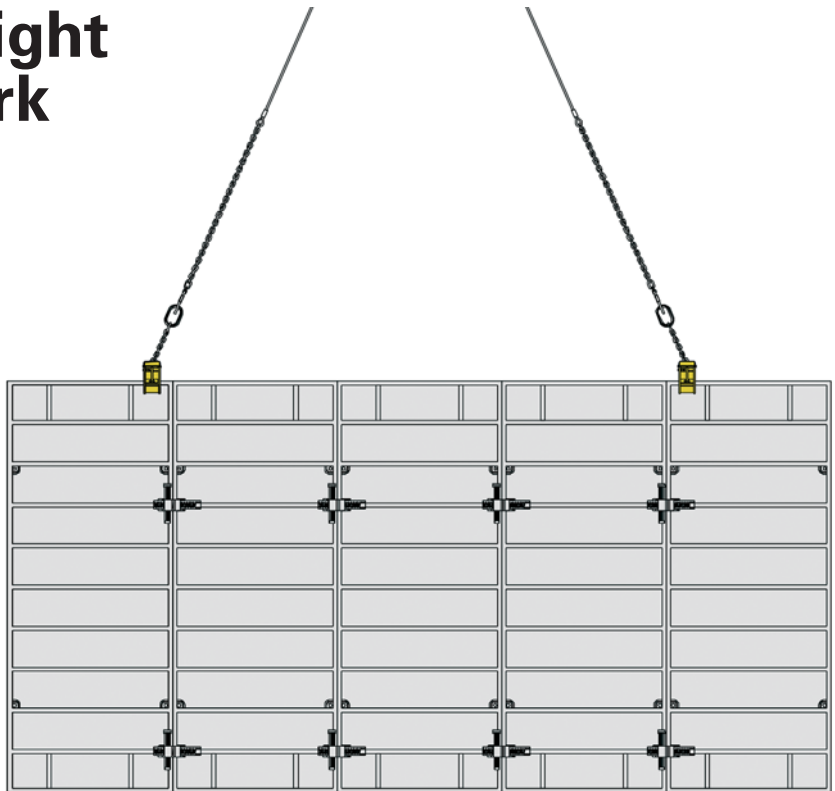


PERI DOMINO

The new lightweight modular formwork system for all shuttering applications

PERI DOMINO requires only 4 different panel widths for any layout



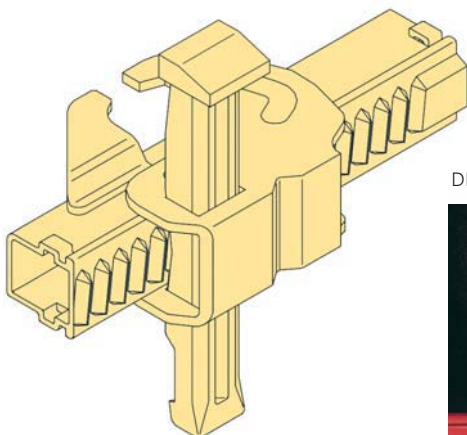
PANEL SIZES

Lengths of 3000, 2750, 2500, 1250 and 725 mm
Widths of 250, 500, 750 and 1000 mm

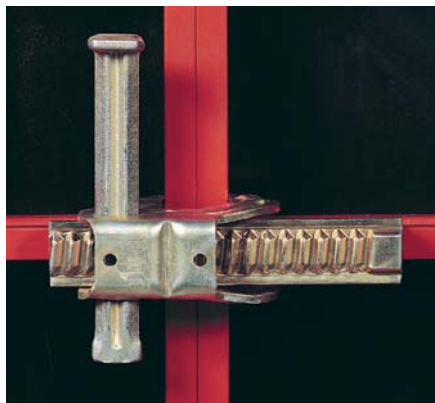
DOMINO DRS ALIGNMENT COUPLER

Ensures that the panels are flush, aligned and tightened – all in one operation.

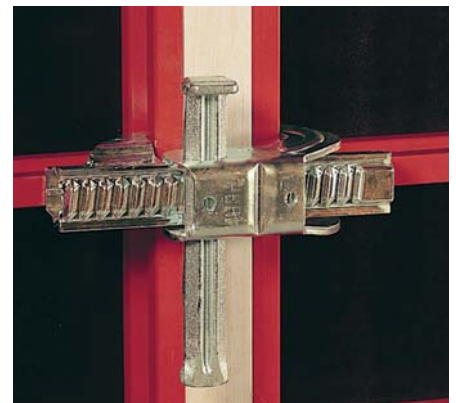
The DRS coupler is the only connecting device required, whether on standard panel connections or with filler timbers up to 120 mm thick.



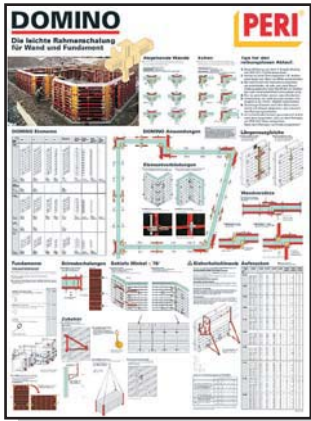
DRS alignment coupler as a standard panel joint.



DRS alignment coupler with filler timber.



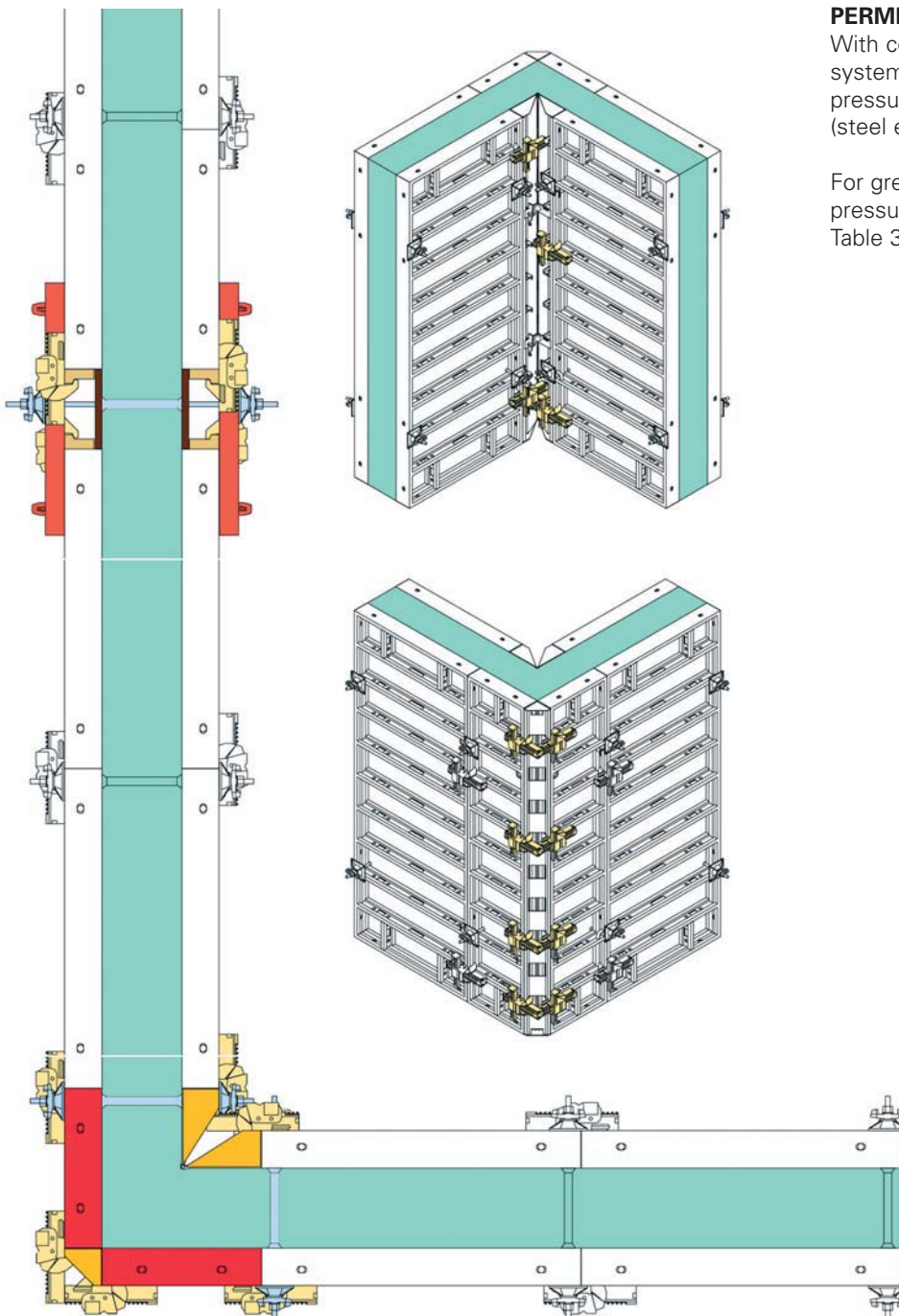
PERI DOMINO



The DOMINO poster gives tips and important advice on planning and use. Please ask for it.



Basement walls formed without a crane using PERI DOMINO.



PERMISSIBLE FRESH CONCRETE PRESSURE

With concreting heights of up to 2500 mm, the system is designed for the full hydro-static pressure according to DIN 18202, Table 3, Line 7 (steel elements).

For greater heights, 60 kN/m² fresh concrete pressure is allowed conforming to DIN 18202, Table 3, Line 6 (steel elements).

Foundations formed without a crane.



The simple DKS wedge coupler for standard panel joints.

